

Contents

1 Instructions	6
1.1 General safety instructions	6
1.2 Identification plate	9
1.3 Manufacturer liability	9
1.4 Appliance purpose	10
1.5 Disposal	10
1.6 This user manual	10
1.7 How to read the user manual	11
2 Description	12
2.1 General Description	12
2.2 Symbols	12
2.3 Available accessories	12
3 Use	13
3.1 Instructions	13
3.2 First use	13
3.3 Using the hob	14
4 Cleaning and maintenance	16
4.1 Instructions	16
4.2 Cleaning the appliance	16
5 Installation	18
5.1 Safety instructions	18
5.2 Section cut from the work surface	18
5.3 Mounting	19
5.4 Fixing brackets	20
5.5 Gas connection	20
5.6 Adaptation to different types of gas	24
5.7 Electrical connection	27

These instructions apply only for the destination countries listed on the appliance's data plate.

This is a class 3 built in hob.

We advise you to read this manual carefully, which contains all the instructions for maintaining the appliance's aesthetic and functional qualities.

For further information on the product: www.smeg.com



Instructions

READ BEFORE USE
IMPORTANT INSTRUCTIONS
only for South Africa
GAS/ELECTRIC COOKERS

Gas/Gas Cookers:

- To avoid over heating when the oven or grill is being used the glass cover must always be up.
- The glass cover may not be cooked on, or closed when the burners are in use and while they are still warm.
- The gas oven and gas grill can not be used simultaneously.

All Cookers:

- Never place aluminum or foil at the bottom of the oven and do not place oven trays as this may damage the enamel coating by over heating.
- The manufacturer declines all responsibility for improper use.
- Never attempt to repair or install the appliance yourself as the guarantee will fall away.
- Installation must be done by a qualified gas installer and qualified electrician.
- Retain your proof of purchase for guarantee.

Additional installation information for

SMEG gas hobs and stoves supplied to South Africa

All Smeg appliances comply with SANS 1539 and have been issued with Permit numbers by the Liquefied Petroleum Gas Safety Association of Southern Africa.

Gas Type: LPG (Note: This appliance may have been supplied ex factory with setting and jets for Natural Gas. Your installer must make the necessary changes and adjustments before handing over the installed appliances for use).

Operating Pressure: 2.8 kPa Note that this appliance may only be used with a LPG regulator of 2.8 kPa outlet pressure and that complies with requirements of SABS 1237.

- This appliance may only be installed by a qualified Gas Fitter that is registered with the LPGSASA. All registered Gas fitters are issued with an identity card and this also carries their registration number. Make a note of this. The Gas Fitter should also provide you with a written certificate after completing the work. Before the installer hands over the installed appliance ensure that you are advised the location of the isolation or shut off valve in the gas supply line to the appliance and how to operate it.
- Do not modify the appliance in any way as this may make it unsafe.



- Note carefully that ventilation requirements indicated in the specific model instruction booklet. This information is vital for the safety of the occupants of the area in which the appliance is installed and used.
- Never check for gas leaks with a naked flame. Always use a soapy water solution applied with a brush to the areas where you suspect there may be a gas leak. Do not use the appliance if you suspect a gas leak.
- There are no preset service intervals for this appliance. Refer to the section on maintenance and cleaning in the instruction booklet for details on how to care for your SMEG appliance.
- After removing burner caps or burner heads to clean them or the hob surface around the burners, always take care that the burner heads are properly located in position and that the igniter post and flame failure thermocouple are not damaged in any way. It is important that these devices fit correctly into the location holes provided in the burner heads. They will not function correctly if not properly located. The burner caps locate by means of the ridge on the underside. Note that burners will not work efficiently if the burner caps are not properly located. There are drawings of a typical burner assembly in your instruction booklet.

Supplied in South Africa by:

S.B.S. Household Appliances,

2985 William Nicol Drive cnr Bryanston Drive, Bryanston, JHB

tel: (011) 463 1016

e-mail: info@smegsa.co.za

FOR YOUR SAFETY

IF YOU SMELL GAS:

- Turn off gas supply at bottle
- Extinguish all naked flames;
- Do not operate any electrical appliances
- Ventilate the area
- Check for leaks as detailed in this manual

If odour persists, contact your dealer or gas supplier immediately

Do not temper with the appliance.

BURN-BACK (FIRE IN BURNER TUBE OR CHAMBER)

In the event of a burn-back, where the flame burns back to the jet, immediately turn off the gas supply at the control valve on the panel. After ensuring the flame is extinguished, wait for 1 minute and re-light the appliance in the normal manner. Should the appliance again burn back, close the control valve and call a service technician. Do not use the appliance again until the service technician has declared that it is safe to do so.

GAS-PRESSURE REGULATOR

This appliance requires an operating pressure of 2,8 kPa at the appliance. A suitable LPG regulator that complies with the requirements of SANS 1237 must be installed.



Instructions

IMPORTANT INFORMATION FOR THE USER

This appliance may only be installed by a registered LP Gas installer. All registered installers are issued with a card carrying their registration number. Ask to be shown the card before allowing the installation work to commence and make a note of the Installer QCC number. Upon completion of the installation, the installer is required to explain the operational details of the appliance together with the safety instructions. You will be asked to sign acceptance of the installation and be provided with a completion certificate. You should only sign for acceptance of the installation when the installation is completed to your satisfaction.

Note that your invoice is required in the event that you wish make a guarantee claim.

IMPORTANT INFORMATION FOR THE INSTALLER.

This appliance may only be installed by a LP gas installer registered with the Liquefied Petroleum Gas

Association of Southern Africa. The appliance must be installed in accordance with the requirements of

SANS 10087-1 and any fire department regulations and/or local bylaws applicable to the area. If in doubt check with the relevant authority before undertaking the installation. Upon completion of the installation you are required to fully explain and demonstrate to the user the operational details and safety practices applicable to the appliance and the installation.

1 Instructions

1.1 General safety instructions

Risk of personal injury

- During use the appliance and its accessible parts become very hot. Never touch the heating elements during use.
- Protect your hands by wearing oven gloves when moving food inside the oven.
- Never try to put out a fire or flames with water: Turn off the appliance and smother the flames with a fire blanket or other appropriate cover.
- This appliance may be used by children aged at least 8 and by people of reduced physical, sensory or mental capacity, or lacking in experience in the use of electrical appliances, provided that they are supervised or instructed by adults who are responsible for their safety.
- Children must not play with the appliance.
- Keep children under the age of 8 at a safe distance unless they are constantly supervised.
- Keep children under the age of 8 away from the appliance when it is in use.



- Cleaning and maintenance must not be carried out by unsupervised children.
- Make sure that the flame-spreader crowns are correctly positioned in their housings with their respective burner caps.
- Be aware of how rapidly the cooking zones heat up. Do not place empty pans on the heat. Danger of overheating.
- Fats and oils can catch fire if they overheat. Do not leave the appliance unattended while preparing foods containing oils or fats. If fats or oils catch fire, never put water on them. Place the lid on the pan and turn off the relevant cooking zone.
- The cooking process must always be monitored. A short cooking process must be continuously monitored.
- Do not place metal objects, such as dishes or cutlery, on the hob surface during use as they may overheat.
- Do not insert pointed metal objects (cutlery or utensils) into the slots in the appliance.
- Do not pour water directly onto very hot trays.
- Do not use aerosols in the vicinity of this appliance whilst it is in use.
- Switch off the appliance immediately after use.
- Do not modify this appliance.
- Do not try to repair the appliance yourself or without the intervention of a qualified technician.
- Do not pull the cable to remove the plug.
- If the power supply cable is damaged, contact technical support immediately and they will replace it.

Risk of damaging the appliance

- Do not use abrasive or corrosive detergents (e.g. scouring powders, stain removers and metallic sponges) on glass parts.
- Use wooden or plastic utensils.
- Do not seat on the appliance.
- Do not use steam jets to clean the appliance.
- Do not obstruct ventilation openings and heat dispersal slots.
- Never leave the appliance unattended during cooking operations where fats or oils could be released, as these could then heat up and catch fire. Be very careful.
- Never leave objects on the cooking surface.
- Do not use the appliance to heat rooms for any reason.



Instructions

- Do not spray any spray products near the oven.
 - Do not use plastic cookware or containers when cooking food.
 - Cooking vessels or griddle plates should be placed inside the perimeter of the hob.
 - All pans must have smooth, flat bottoms.
 - If any liquid does boil over or spill, remove the excess from the hob.
 - Take care not to spill acid substances such as lemon juice or vinegar on the hob.
 - Do not put empty pans or frying pans on switched on cooking zones.
 - Do not use steam jets to clean the appliance.
 - Do not use rough or abrasive materials or sharp metal scrapers.
 - Do not use cleaning products containing chlorine, ammonia or bleach on parts made of steel or that have metallic surface finishes (e.g. anodizing, nickel- or chromium-plating).
 - Do not use abrasive or corrosive detergents (e.g. scouring powders, stain removers and metallic sponges) on glass parts.
 - Do not wash removable parts such as the hob grids, flame-spreader crowns and burner caps in the dishwasher.
- ### Installation
- This appliance **must not be installed** in a boat or caravan.
 - The appliance must not be installed on a pedestal.
 - Position the appliance into the cabinet cut-out with the help of a second person.
 - To avoid potential overheating, the appliance must not be installed behind a decorative door or a panel.
 - Always use any necessary/required personal protective equipment (PPE) before performing any work on the appliance (installation, maintenance, positioning or movement).
 - Before performing any work on the appliance, switch off the power supply.
 - Have qualified personnel carry out installation and assistance interventions according to the standards in force.
 - Have the gas connection performed by authorised technical personnel.



- Installation using a hose must be carried out so that the length of the hose does not exceed 2 metres when fully extended for steel hoses and 1.5 metres for rubber hoses.
- The hoses should not come into contact with moving parts and should not be crushed in any way.
- If required, use a pressure regulator that complies with current regulations.
- After carrying out any operation, check that the tightening torque of gas connections is between 10 Nm and 15 Nm.
- At the end of the installation, check for any leaks with a soapy solution, never with a flame.
- Have the electrical connection performed by authorised technical personnel.
- The appliance must be connected to earth in compliance with electrical system safety standards.
- Use cables withstanding a temperature of at least 90°C.
- The tightening torque of the screws of the terminal supply wires must be 1.5 - 2 Nm.
- If it is necessary to replace the power cable, this must only be performed by a qualified technician.

For this appliance

- The glass ceramic surface is highly resistant to impact. However, prevent hard, solid objects from falling on the cooking surface as they may cause it to break if they are sharp.
- The glass ceramic cooking surface must not be used as a surface for placing objects.
- If cracks or fissures form, or if the glass ceramic cooking surface breaks, turn off the appliance immediately. Disconnect the power supply and call Technical Support.

1.2 Identification plate

- The identification plate bears the technical data, serial number and brand name of the appliance. Do not remove the identification plate for any reason.

1.3 Manufacturer liability

The manufacturer declines all liability for damage to persons or property caused by:

- Use of the appliance other than the one envisaged;
- Non-observance of the user manual provisions;
- Tampering with any part of the appliance;
- Use of non-original spare parts.



Instructions

1.4 Appliance purpose

- This appliance is intended for cooking food in the home environment. Every other use is considered improper.
- The appliance is not designed to operate with external timers or with remote-control systems.

1.5 Disposal



This appliance must be disposed of separately from other waste (Directives 2002/95/EC, 2002/96/EC, 2003/108/EC). The appliance does not contain substances in quantities sufficient to be considered hazardous to health and the environment, in accordance with current European directives.

To dispose of the appliance:

- Cut the power supply cable and remove it along with the plug.



Power voltage Danger of electrocution

- Disconnect the main power supply.
- Disconnect the power cable from the electrical system.
- Deliver the appliance to the appropriate recycling centre for electrical and electronic equipment waste, or return it to the retailer when purchasing an equivalent product, on a one for one basis.

Our appliances are packed in non-polluting and recyclable materials.

- Deliver the packing materials to the appropriate recycling centre.



Plastic packaging Danger of suffocation

- Do not leave the packaging or any part of it unattended.
- Do not let children play with the packaging plastic bags.

1.6 This user manual

This user manual is an integral part of the appliance and must therefore be kept in its entirety and within the user's reach for the whole working life of the appliance.

Read this user manual carefully before using the appliance.



1.7 How to read the user manual

This user manual uses the following reading conventions:

Instructions



General information on this user manual, on safety and final disposal.

Description



Description of the appliance and its accessories.

Use



Information on the use of the appliance and its accessories, cooking advice.

Cleaning and maintenance



Information for proper cleaning and maintenance of the appliance.

Installation



Information for the qualified technician: Installation, operation and inspection.



Safety instructions



Information



Advice

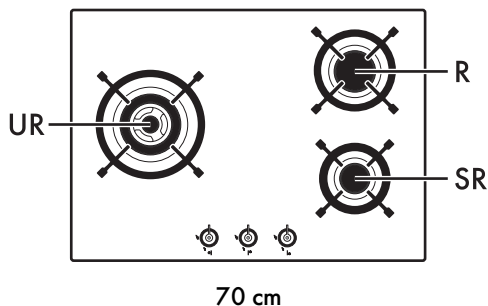
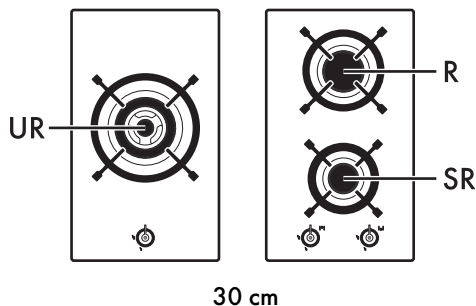
1. Use instruction sequence.
- Single use instruction.



Description

2 Description

2.1 General Description







SR = Semi-rapid
 R = Rapid
 UR = Ultra rapid

2.2 Symbols

Cooking zones

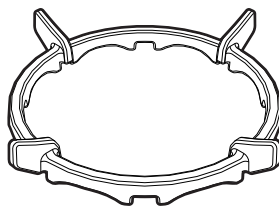
- | Centre left
- | Rear left
- | Rear right
- | Front right
- | Central right
- | Rear central
- | Front central

Burner knobs

Useful for lighting and adjusting the hob burners. Press and turn the knobs anti-clockwise to the value  to light the relative burners. Turn the knobs to the zone between the maximum  and minimum  setting to adjust the flame. Return the knobs to the  position to turn off the burners.

2.3 Available accessories

WOK ring



Useful when using a wok.

i The accessories intended to come into contact with food are made of materials that comply with the provisions of current legislation.

i Supplied original and optional accessories can be requested to Authorised Assistance Centres. Use only original accessories supplied by the manufacturer.



3 Use

3.1 Instructions



Improper use Danger of burns

- Make sure that the flame-spreader crowns are correctly positioned in their housings with their respective burner caps.
- Oils and fats could catch fire if overheated. Be very careful.
- Do not leave the appliance unattended during cooking operations where fats or oils could be released.
- Do not spray any spray products near the appliance.
- Do not touch the appliance's heating elements when it is running. Leave them to cool before cleaning.
- Do not allow children younger than 8 years old to come near the appliance when in operation.



Improper use Risk of damage to surfaces


- Do not use aluminium foil to cover the burners or hob body.
- Cooking vessels or griddle plates should be placed inside the perimeter of the hob.
- All pans must have smooth, flat bottoms.
- If any liquid does boil over or spill, remove the excess from the hob.
- It is not advisable to use earthenware or stoneware pans to cook or heat food.

3.2 First use

1. Remove any protective film from the outside or inside of the appliance, including accessories.
2. Remove any labels (apart from the technical data plate) from accessories.
3. Remove and wash all the appliance accessories (see 4 Cleaning and maintenance).




3.3 Using the hob

All the appliance's control and monitoring devices are located together on the front panel. The burner controlled by each knob is shown next to the knob. The appliance is equipped with an electronic ignition device. Simply press the knob and turn it anti-clockwise to the maximum flame symbol, until the burner lights. If the burner does not light in the first 15 seconds, turn the knob to  and wait 60 seconds before trying again. After lighting, keep the knob pressed in for a few seconds to allow the thermocouple to heat up.

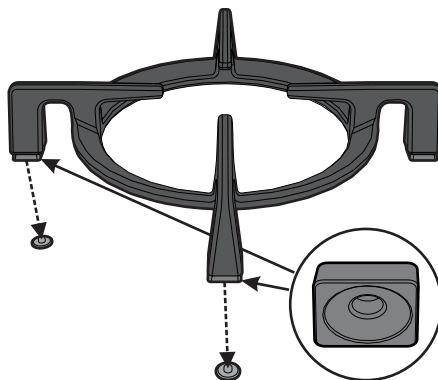
The burner may go out when the knob is released: In this case, the thermocouple has not heated up sufficiently. Wait a few moments and repeat the operation. Keep the knob pressed in longer.



In case of an accidental switching off, a safety device will be tripped, cutting off the gas supply, even if the gas tap is open. Return the knob to  and wait at least 60 seconds before lighting it again.

Correct positioning of the grids

Under the grids there are silicone rests with a hole that must be centred onto the matching fixing pins on the surface.



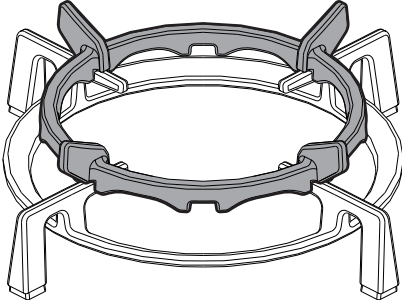
Make sure that the grids are simply centred on their respective burners, without forcing the burners to be raised or tilted. If they are, repeat the positioning procedure.

If you find that a pan is particularly unstable, make sure that the grids have not been positioned incorrectly.



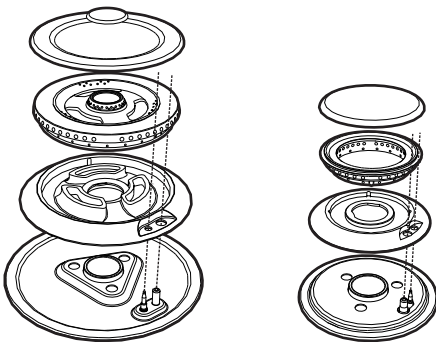
Ring reducers

The ring reducers must be rested on the hob grid. Make sure they are properly positioned.



Correct positioning of the flame-spreader crowns and burner caps

Before lighting the hob burners, make sure that the flame-spreader crowns are correctly positioned in their housings with their respective burner caps. Make sure that the holes in the burners are aligned with the igniters and thermocouples. Also ensure that the flame-spreader crowns are correctly engaged in the burner holes.



Practical tips for using the hob

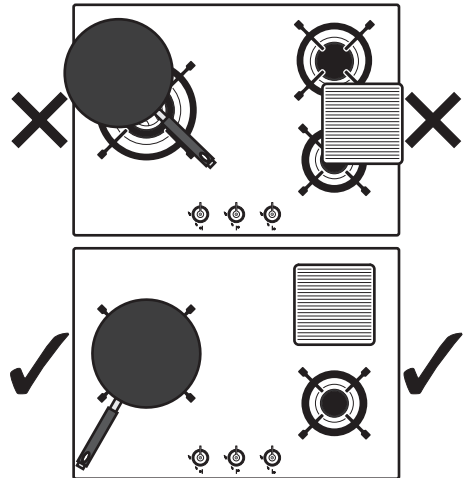
For better burner efficiency and to minimise gas consumption, use pans with lids and of suitable size for the burner, so that flames do not reach up the sides of the pan. Once the contents come to the boil, turn down the flame far enough to ensure that the liquid does not boil over.



Cookware diameters:

- Semi-rapid: 10 - 24 cm.
- Rapid: 12 - 24 cm.
- Ultra-rapid: 12 - 26 cm

To prevent burns or damage to the hob or the counter top during cooking, all pans or griddles (not provided) must be placed inside the perimeter of the hob.





4 Cleaning and maintenance

4.1 Instructions



Improper use

Risk of damage to surfaces

- Do not use steam jets to clean the appliance.
- Do not use cleaning products containing chlorine, ammonia or bleach on steel parts or parts with metallic finishes on the surface (e.g. anodizing, nickel- or chromium-plating).
- Do not use abrasive or corrosive detergents on glass parts (e.g. powder products, stain removers and metallic sponges).
- Do not use rough or abrasive materials or sharp metal scrapers.
- Do not wash the removable components such as the hob grids, flame-spreader crowns and burner caps in a dishwasher.

4.2 Cleaning the appliance

To keep the surfaces in good condition, they should be cleaned regularly after use. Let them cool first.

Ordinary daily cleaning

Always use only specific products that do not contain abrasives or chlorine-based acids.

Pour the product onto a damp cloth and wipe the surface, rinse thoroughly and dry with a soft cloth or a microfibre cloth.

Food stains or residues

Do not use metallic sponges or sharp scrapers as they will damage the surfaces.

Use ordinary non-abrasive products with the aid of wooden or plastic utensils if necessary. Rinse thoroughly and dry with a soft cloth or a microfibre cloth.

Do not allow residues of sugary foods (such as jam) to set inside the oven. If left to set for too long, they might damage the enamel lining of the oven.



Cooking hob grids

Remove the grids and clean them with lukewarm water and non-abrasive detergent. Make sure to remove any encrustations. Dry them thoroughly and return them to the hob.



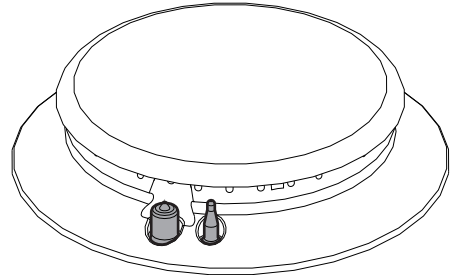
Continuous contact between the grids and the flame can cause modifications to the enamel over time in those parts exposed to heat. This is a completely natural phenomenon which has no effect on the operation of this component.

Flame-spreader crowns and burner caps

For easier cleaning, the flame-spreader crowns and the burner caps can be removed. Wash them in hot water and non-abrasive detergent. Carefully remove any encrustation, then wait until they are perfectly dry. Refit the flame-spreader crowns making sure that they are correctly positioned in their housings with their respective burner caps.

Igniters and thermocouples

For correct operation the igniters and thermocouples must always be perfectly clean. Check them frequently and clean them with a damp cloth if necessary. Remove any dry residues with a wooden toothpick or a needle.





Installation

5 Installation

5.1 Safety instructions



Heat production during appliance operation
Risk of fire

- Check that the piece of furniture material is heat resistant.
- Check that the piece of furniture has the required slots.

Veneers, adhesives or plastic coatings on adjacent furniture should be temperature-resistant (>90°C), otherwise they might warp over time.



The minimum clearance between a ventilation hood and the cooking surface must be at least the distance indicated in the ventilation hood installation instructions.

The minimum clearances must also be respected for the edges of the hob on the back as indicated in the mounting illustrations.

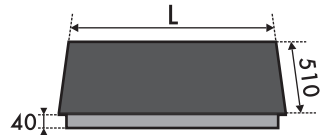
5.2 Section cut from the work surface



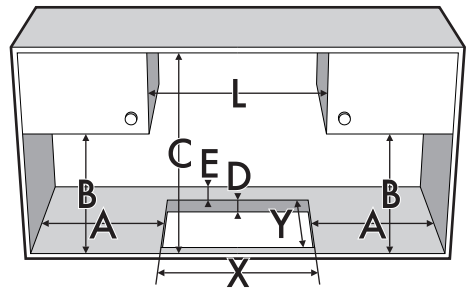
The following operation requires building and/or carpentry work and must therefore be carried out by a competent tradesman.

Installation can be carried out on various materials such as masonry, metal, solid wood or plastic laminated wood as long as they are heat resistant (>90°C).

Create an opening with the dimensions shown in the figure in the work surface of the piece of furniture.



L (mm)	X (mm)	Y (mm)
300	252 - 256	478 - 482
720	555 - 560	478 - 482



A (mm)	B (mm)	C (mm)	D (mm)	E (mm)
min 150	min 460	min 750	20 - 60	min 50

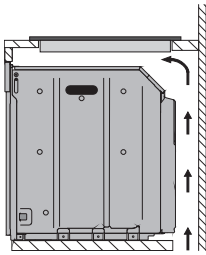


5.3 Mounting

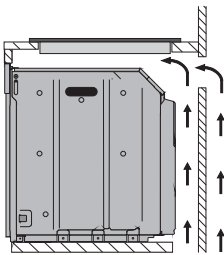
Over built-in oven

The clearance between the hob and the kitchen furniture or other installed appliances must be enough to ensure sufficient ventilation and air discharge.

If installed above an oven, a space must be left between the bottom of the hob and the top of the appliance installed below.



opens on bottom



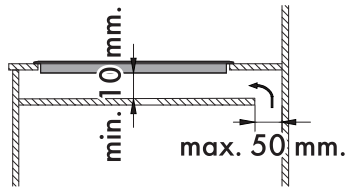
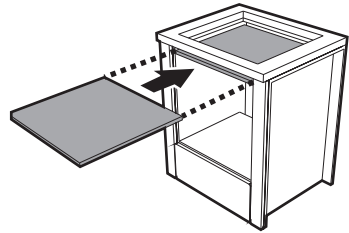
opens on bottom and on rear



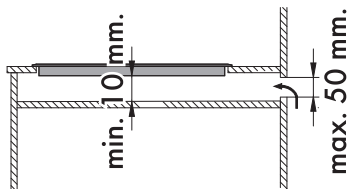
If installed on top of an oven, the latter must be equipped with a cooling fan.

Over empty kitchen unit or drawers

If there are other pieces of furniture (lateral walls, drawers, etc.), dishwashers or fridges under the hob, a double-layer wooden base must be installed at least **10 mm** from the bottom of the hob to avoid any accidental contact. It must only be possible to remove the double-layer base using suitable equipment.



opens on bottom



opens on rear



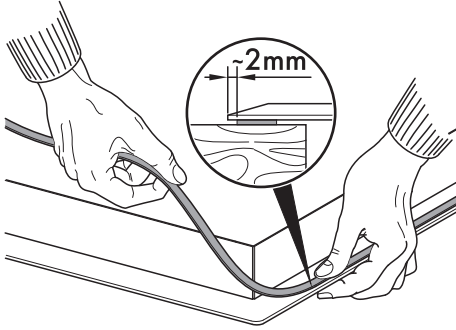
Failure to install the double-layer wooden base exposes the user to possible accidental contact with sharp or hot parts.



Installation

Hob seal

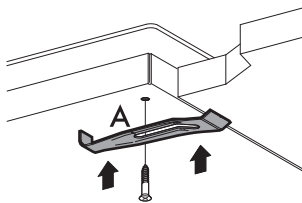
To prevent leakage of liquid between the frame of the hob and the work surface, place the adhesive seal provided along the entire outer edge of the hob before assembly.



Do not use silicone to secure the hob. This would make it impossible to remove the hob, if necessary, without damaging it.

5.4 Fixing brackets

Screw the fixing brackets (**A**) into the holes on the sides of the bottom casing to properly fasten the hob to the structure.



5.5 Gas connection



Gas leak
Danger of explosion

- After carrying out any operation, check that the tightening torque of gas connections is between 10 Nm and 15 Nm.
- If required, use a pressure regulator that complies with current regulations.
- At the end of the installation, check for any leaks with a soapy solution, never with a flame.
- The hoses should not come into contact with moving parts and should not be crushed in any way.



Before installation, ensure the local gas distribution conditions (type and pressure) and the appliance adjustments are compatible.

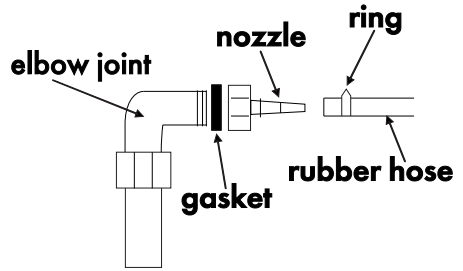
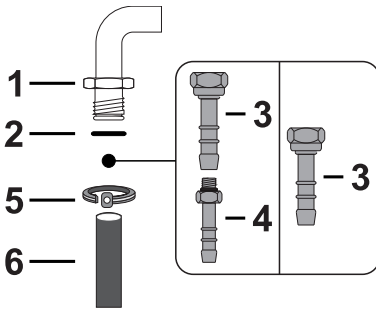
General information

Connection to the gas mains can be made using a rigid copper pipe or a continuous wall steel hose in compliance with the provisions established by the applicable standard. For supplying it with other types of gas, see chapter "5.6 Adaptation to different types of gas". The gas inlet connection is threaded 1/2" external gas (ISO 228-1).



Connection with hose connector

Carefully screw the hose connector **3** to the appliance's gas connector **1** (1/2" thread ISO 228-1), placing the seal **2** between them. The hose connector reducer **4** can also be screwed to the hose connector **3**, depending on the diameter of the gas hose used. After having tightened the hose connector(s), push the gas hose **6** onto the hose connector and secure it with the clamp **5** that is compliant with the standard in force.

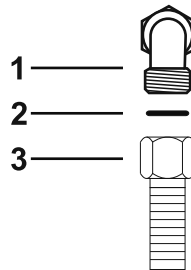


The gasket is necessary to avoid gas leaks. When you have completed the installation, check for any leaks using a solution of soap and water, never with a flame.

Connection with a steel hose

Make the connection to the gas mains using a continuous wall steel hose whose specifications comply with the applicable standard.

Carefully screw the connector **3** to the gas connector **1** of the appliance, placing the seal **2** between them.



Connection using a rubber hose complying with current standards is only permitted if the hose can be inspected along its entire length.



The inside diameter of the hose must be 8 mm for LPG and 13 mm for Natural gas and City gas.

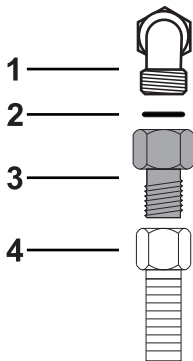


Installation

Connection with a steel hose with conical fitting

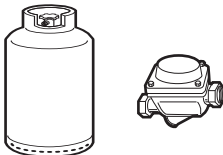
Make the connection to the gas mains using a continuous wall steel hose whose specifications comply with the applicable standard.

Carefully screw the hose connector **3** to the appliance's gas connector **1** ($\frac{1}{2}$ " thread ISO 228-1), placing the supplied seal **2** between them. Apply insulating material to the thread of connector **3**, then tighten the steel hose **4** to the connector **3**.



Connection to LPG

Use a pressure regulator and make the connection on the gas cylinder following the guidelines set out in the standards in force.



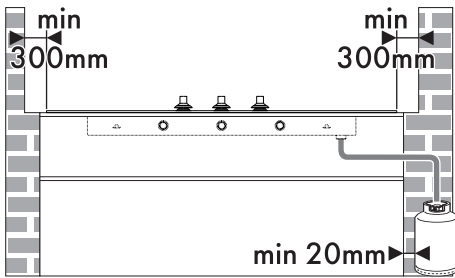
The supply pressure must comply with the values indicated in the table in "Burner and nozzle characteristics tables".

Gas cylinder compartment

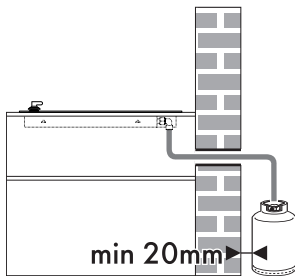
- The opening and interior of the compartment must correspond to the dimensions of the largest cylinders (fitted with regulator) and must be of dimensions such as to allow easy introduction and removal of the cylinder.
- It must be easy to insert and remove the cylinder complete with regulator.
- The compartment must ensure sufficient ventilation from the apertures both at the base and the upper part.
- The cylinder compartment ventilation openings must not be obstructed.
- The cylinder compartment must not communicate directly with the parts of the appliance where the burners are installed.
- The cylinder support must not deform when loaded with a full cylinder. Cylinders must not be placed directly on the floor.
- The cylinder connection point and cock must be easily accessible.
- Spills from recipients placed on the hob must not fall directly on the cylinder or its accessories.
- The hose must not come into contact with sharp edges.



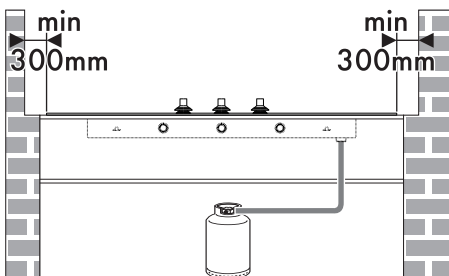
Cylinder positioning



Example of cylinder positioned to side



Example of cylinder positioned to rear



Example of cylinder positioned under non-flammable panel

Room ventilation

The appliance should be installed in rooms that have a permanent air supply in accordance with the standards in force. The room where the appliance is installed must have enough air flow for the regular combustion of gas and the necessary air change in the room itself. The air vents, protected by grilles, must be the right size to comply with current regulations and positioned so that no part of them is obstructed, not even partially.

The room must be kept adequately ventilated in order to eliminate the heat and humidity produced by cooking: In particular, after prolonged use, you are recommended to open a window or to increase the speed of any fans.

Extraction of the combustion products

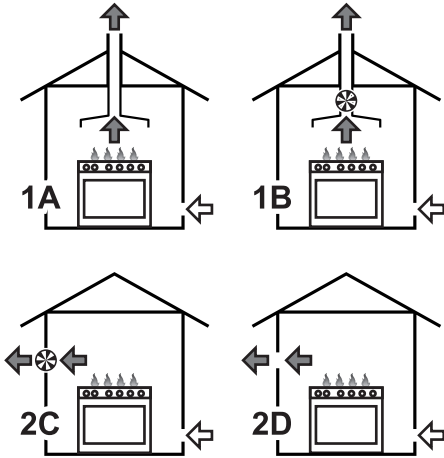
The combustion products may be extracted by means of hoods connected to a natural draught chimney whose efficiency is certain or via forced extraction.

An efficient extraction system requires precision planning by a specialist qualified in this area and must comply with the positions and clearances indicated by the applicable standards.



Installation

When the job is complete, the installer must issue a certificate of conformity.



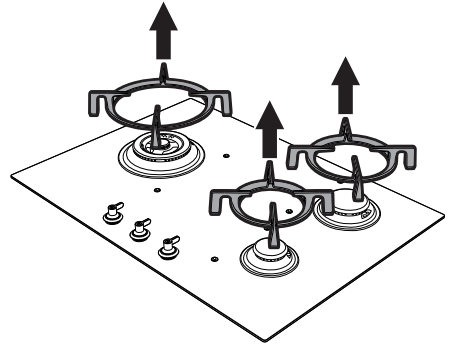
- 1 Extraction using a hood
- 2 Extraction without a hood
- A Single natural draught chimney
- B Single chimney with extractor fan
- C Directly outdoors with wall- or window-mounted extractor fan
- D Directly outdoors through wall
- Air
- Combustion products
- Extractor fan

5.6 Adaptation to different types of gas

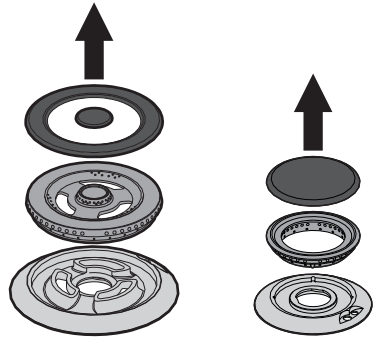
If other types of gas are to be used, the nozzles must be replaced and the primary air must be adjusted. In order to replace the nozzles and adjust the burners, the hob top must be removed.

Removing the hob top

1. Remove the grids from the hob.



2. Remove the flame-spreader crowns and relative burner caps.

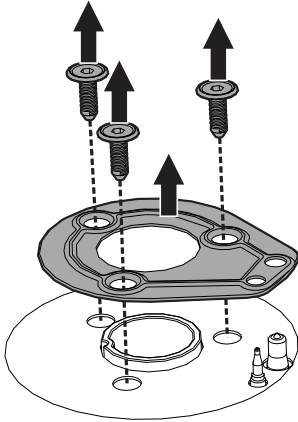


3. Pull the knobs upwards to remove them.

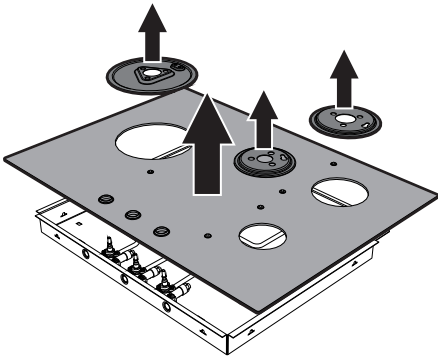




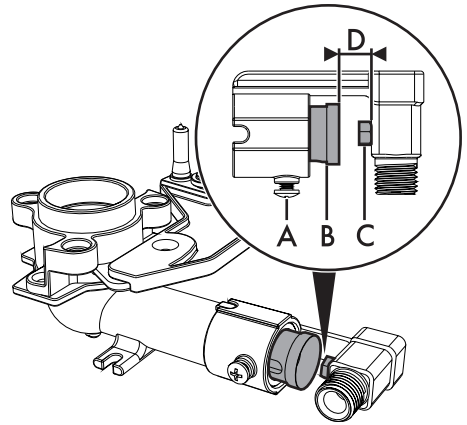
4. Remove the screws fastening the top and the plates corresponding to each burner zone.



5. Remove the fastening plates and the hob top.



Replacing nozzles



1. Unscrew screw **A** and push air regulator **B** as far as it will go.
2. Use a spanner to remove the nozzle **C** and install the new ones for the required gas supply, following the indications given in the relevant table (see "Burner and nozzle characteristics tables").



The nozzle tightening torque must be no more than 3 Nm.

3. Adjust the air flow by moving the air regulator **B** to obtain the distance **D** given in the corresponding table (see "Burner and nozzle characteristics tables").
4. After adjusting each burner, reassemble the appliance correctly.

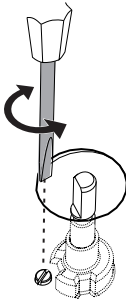


Installation

Adjusting the minimum setting for natural or city gas

Light the burner and turn it to the minimum position. Extract the gas tap knob and turn the adjustment screw next to the tap rod (depending on the model) until the correct minimum flame is achieved.

Refit the knob and verify that the burner flame is stable. Turn the knob rapidly from the maximum to the minimum setting: The flame should not go out. Repeat the operation on all gas taps.



Adjusting the minimum setting for LPG

Tighten the screw located at the side of the tap rod clockwise all the way.



Following adjustment to a gas other than the one originally set in the factory, replace the gas setting label on the appliance with the one corresponding to the new gas. The label is inserted inside the nozzle pack (where present).

Lubricating the gas taps

Over time the gas taps may become difficult to turn and get blocked. Clean them internally and replace the lubrication grease.



Lubrication of the gas taps should be performed by a specialised technician.

Burner and nozzle characteristics tables

Natural Gas – G20 20 mbar	SR	R	UR
Rated heating capacity (kW)	1.8	3.0	6.5
Nozzle diameter (1/100 mm)	95	125	185
Reduced capacity (W)	500	1200	2300
Primary air (mm)	1.5	1.5	2.5
LPG – G30/G31 29 mbar	SR	R	UR
Rated heating capacity (kW)	1.8	3.0	6.2
Nozzle diameter (1/100 mm)	62	85	115
Reduced capacity (W)	500	1200	2300
Primary air (mm)	1.5	2	-
Rated capacity G30 (g/h)	131	218	451
Rated capacity G31 (g/h)	129	214	443
City Gas – G110 10 mbar	SR	R	UR
Rated heating capacity (kW)	1.8	3.0	5.3
Nozzle diameter (1/100 mm)	165	230	420
Reduced capacity (W)	500	1200	2300
Primary air (mm)	0.5	1.5	4



5.7 Electrical connection

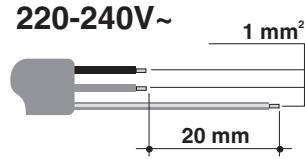


**Power voltage
Danger of electrocution**

- Have the electrical connection performed by authorised technical personnel.
- Use personal protective equipment.
- The appliance must be connected to earth in compliance with electrical system safety standards.
- Disconnect the main power supply.
- Do not pull the cable to remove the plug.
- Use cables withstanding a temperature of at least 90°C.
- The tightening torque of the screws of the terminal supply wires must be 1.5 - 2 Nm.

The appliance can work in the following modes:

- 220-240 V 1N~



Use a **3 x 0.75 mm² three-core** cable.



The values indicated above refer to the cross-section of the internal conductor.

Fixed connection

Fit the power line with an omnipolar circuit breaker in compliance with installation regulations.

The circuit breaker should be located near the appliance and in an easily reachable position.

Connection with plug and socket

Make sure that the plug and socket are of the same type.

Avoid using adapters and shunts as these could cause overheating and a risk of burns.

General information

Check the grid characteristics against the data indicated on the plate.

The identification plate bearing the technical data, serial number and brand name is visibly positioned on the appliance.

Do not remove this plate for any reason.

Perform the ground connection using a wire that is 20 mm longer than the other wires.

