

## KFV92D-2

90CM Glass and St/steel Chimney Hood

EAN13: 8017709186562

- Push button controls
- 3 speeds
- 2 x 20W halogen lamps
- Single aluminium grease filter
- Internal re-circulation possible
- Vent outlet Ø 150mm
- Nominal power: 290W

Speed	I	II	III
Extraction Rate IEC 61591	255	350	650
Noise Level dB(A) IEC 60704-2-13	45	55	67



NB: This model supersedes the KFV92D once stock has been exhausted

### Functions



### Options

- **SP150** - Simple ducting kit (150mm wide)
- **SP150FLAT** - Comprehensive ducting kit (150mm wide)



**Filters:**

Model has filters to help remove grease from the steam emanating from the pans during cooking.



**Charcoal filters:**

Extracting through charcoal filters or directly to the exterior lessens strong cooking odours considerably.



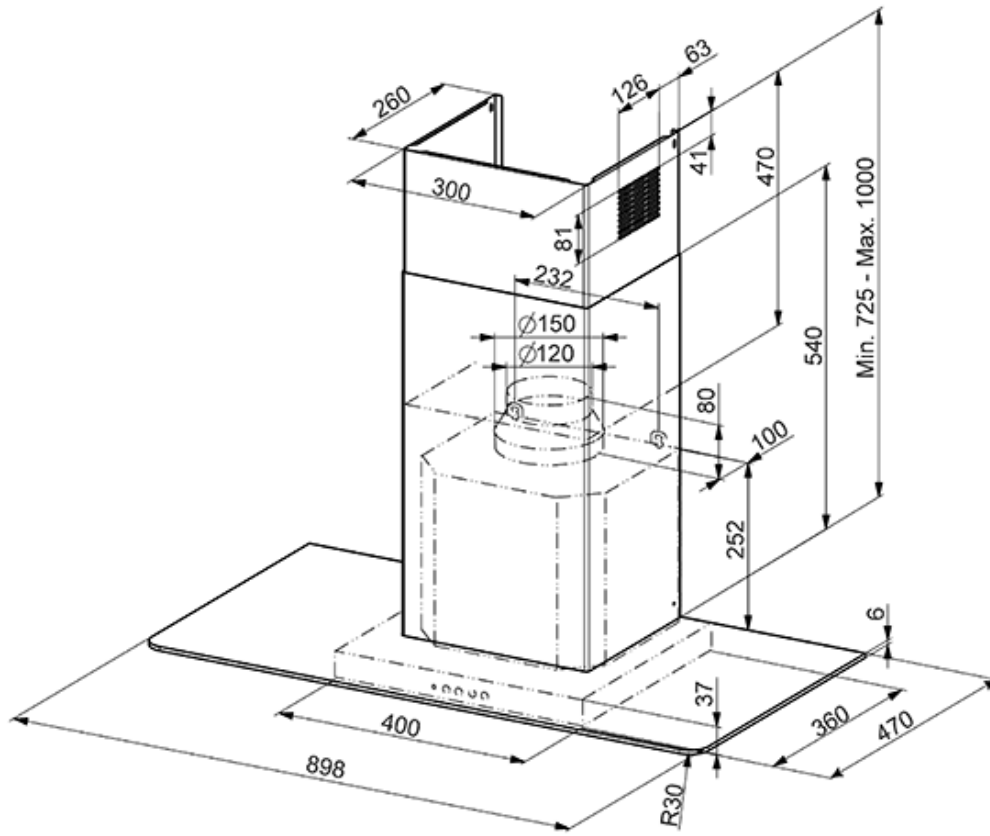
**Lights:**

All cooker hoods feature lights to illuminate the cooking area or add to the ambience of the kitchen.



# KFV92D-2

90 cm  
stainless steel  
chimney hood  
min noise level < 50dB (A)



Smeg (UK) Ltd  
The Magna Building, Wyndyke Furlong, Abingdon  
OX14 1DZ  
Tel. +44 (0)844 557 9907  
Fax +44 (0)844 557 9337