

LG862-2

Sink material	Stainless steel
Sink type	Welded
No. of bowls	2
EAN code	8017709208868



Aesthetics



Aesthetics	Universal	Building in type	Ultra-low profile
Series	Alba	Logo	Embossed
Colour	Stainless steel	Tap hole / precut tap hole	1 Tap hole
Finishing	Brushed		

	Bowl type	Bowl thickness (mm)	Bowl dimensions, WxDxH (mm)	Bowl depth (mm)	Radius corner right bowl (mm)	Overflow LH bowl	Strainer position	Strainer dimension
RH Bowl	Traditional	0.7	300 x 400 x 210	210	80		Side bowl	3.5"
LH Bowl	Traditional	0.7	450 x 400 x 210	210	80	Yes, traditional	Side bowl	3.5"

Technical Features

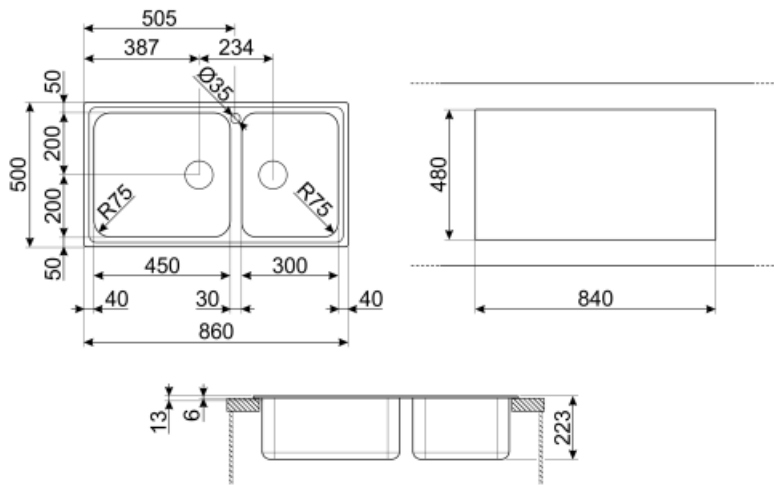


Frame thickness	0.7 mm	Tap hole	1
Frame depth (mm)	13	Tap hole diameter	35 mm
Dimensions of the product (mm)	223x860x500 mm	Dividing wall width	30 mm
Cutout dimension (mm)	840 x 480 mm	Gasket type	Sealing paste
Cutout radius	10 mm	No. of clips	8
Height from kitchen top	6 mm	Type of clips	Standard
Base unit size	90 cm		

Accessories Included

Accessories for
installation

Strainer, Siphon with
dishwasher outlet
connection, Fixing clips,
Gasket



Not included accessories



KITFD050

Waste disposal 0,5 HP Motor: 1/2 horsepower Fits all sinks with 3 1/2" waste outlet



KITFD100

Waste disposal 1 HP Motor: 1 horsepower Fits all sinks with 3 1/2" waste outlet



KITFD050UK

Waste disposal 0,5 HP Motor: 1/2 horsepower Fits all sinks with 3 1/2" waste outlet



KITFD100UK

Waste disposal 1 HP Motor: 1 horsepower Fits all sinks with 3 1/2" waste outlet



STABMIX

Tap brace



KITFD075

Waste disposal 0,75 HP Motor: 3/4 horsepower Fits all sinks with 3 1/2" waste outlet



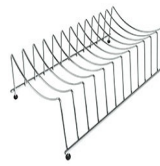
RND2V

Rondò waste kit 2 bowls with 1 standard overflow



KITFD075UK


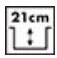

Waste disposal 0,75 HP Motor: 3/4 horsepower Fits all sinks with 3 1/2" waste outlet



COLPTX

Drainier accessory

Symbols glossary

- | | | | |
|--|---|---|---|
|  | Cupboard width required for sink installation |  | Sink depth - depending on the model, the depth can be from 13 to 24,5 |
|  | Ultra-low profile: Installation of product with flat edge - height of 1 mm. | | |