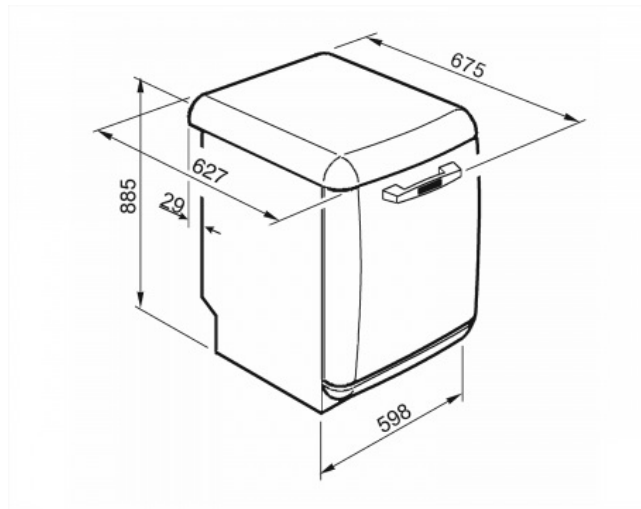


50's Retro style Aesthetic

EAN13: 8017709232146

Dishwashers, 50's style, Free-standing, 60 cm, Number of place settings: 13, Lime green, A+++



TYPE



• Product Family: Dishwashers • Installation: Free-standing • Commercial width: 60 cm • Commercial height: 80cm • Number of place settings: 13

AESTHETICS

• Aesthetics: 50's style • Colour: Lime green • Front panel colour: Finger friendly stainless steel • Door colour: Lime green • Sides colour: Lime green • Top colour: Lime green • Plinth colour: Lime green • LED/display colour: White • Buttons colour: Finger friendly stainless steel

PROGRAMS / FUNCTIONS



• No. of programmes: 5+5 quick programmes • Washing temperatures: 38° °C, 45° °C, 50° °C, 65° °C, 70° °C

OPTIONS



• Energy saving option EnerSave: A+++ • Delay timer option: Up to 9 hours • 1/2 load FlexiZone option (varied distribution) : Yes • Options for tabs FlexiTabs: Yes • Quick Time option: Yes

BASKETS



• Basket colour: Stainless Steel • Basket components colour: Matching the external colour • Handle: In plastic with stainless steel insert on upper and lower basket • Wire Handle grip (lower basket): Yes • Upper Basket: With central fixed racks • Height adjustment of the upper basket: On three levels • Upper basket with EasyGlide System: Yes • Largest loadable dish in upper basket: 23,5 cm • Lower Basket: With double foldable rack • Lower basket with anti-drip inserts: Yes • Largest loadable dish in lower basket: 30 cm • Cutlery basket: 13 place settings sliding

TECHNICAL FEATURES



• Controls: Electronic • Display: Delayed start • Display type: LED display (1 digit) • On/off indicator: Yes • Salt light indicator: Light • Rinse aid indicator: Light • End of cycle indicator: Acoustic signal • Washing system: Planetarium • Drying system: Natural condenser drying, with EnerSave automatic door opening system at the end of the cycle • Motor: Single phase • Third spray arm: Single • Water softener: With

electronic setting • Turbidity sensor Aquatest: Yes • Flood protection system: Total Acquastop • Water supply: Single; cold/hot water max. 60°C - energysave with hot water up to 35% • Max water hardness: 100°FH;58°dH °FH;°dH • Tub material: Stainless steel • Filter: Stainless Steel • Concealed heating element: Yes • Hinges: Self balancing with fixed hinges • Adjustable feet: Just for levelling

PERFORMANCE / ENERGY LABEL



• Energy efficiency class: A+++ • Cleaning performance: A • Noise level: 42 dB(A) re 1pW • Drying performance: A • Energy consumption per cycle (kWh/cycle): 0.81 kWh • Water consumption per cycle (l/cycle): 8.5 litres • Annual energy consumption: 230 kWh • Annual water consumption: 2380 litres • Reference programme: ECO • Total cycle time of reference programme (min): 150 min • Energy consumption - stand by off mode: 0.02 W • Energy consumption - stand by on mode: 0.80 W • Duration of the stand by on mode (min): 5 min

ELECTRICAL CONNECTION

• Connected power: 1800 W • Current: 10 Amp • Voltage: 220-240 V • Frequency (Hz): 50 Hz • Type of connection: Single-phase • Plug type: Schuko • Power supply cable length: 140 cm

LOGISTIC INFORMATION

• Dimensions of the product HxWxD (mm): 885x598x627

OPTIONAL

• Kit glass holder. It has to be fitted on the first basket but only if there are foldable racks: **KITGH** • Kit extension for dishwasher and washing machine: lenght mt. 2: **KITPLV2**

VERSIONS

• LVFABPB: Pastel blue • LVFABBL: Black • LVFABOR: Orange • LVFABCR: Cream • LVFABRD: Red • LVFABPK: Pink • LVFABSV: Silver