

ALFA43XMF



Professional Multifunction Oven in stainless steel, 4 trays 435x320mm

Product Family	Ovens
Type	Multifunction Ovens
Line	4 trays 435x320mm
Power supply	electrical
Outside dimensions (WxDxH)	602x584x537mm

TECHNICAL SHEET

TECHNICAL DATA

Structure: stainless steel

Power supply: electrical

Control type: electromechanical

Outside dimensions (WxDxH): 602x584x537mm

Power supply / Total power installed: 230V 1N 50Hz / 3.0 kW

Cooking chamber: enamelled

Capacity: 4 trays

Trays dimensions: 435x320mm

Distance between trays: 80mm

Opening door: tilting opening door

Cooking functions: Convection; Static; Grill; Fan + lower heating element

Grill heating element: 2.7 kW

Thermostat setting range: 50 - 270°C

Timer setting range: 0 - 60' / Manual

No. of fans: 1

ACCESSORIES

[3729](#) - 4 chromed wire grids kit, 441x340mm

[3735](#) - 4 chromed wire waved grids kit, 435x320mm

[3820](#) - Kit of 4 trays made of aluminized sheet, 435x320mm

[3755](#) - 4 perforated aluminium trays kit, 435x320mm

[3780](#) - Kit of 4 nonstick trays, 435x320mm

[TVL40](#) - Frame stand in stainless steel with trays guide, for oven series ALFA43

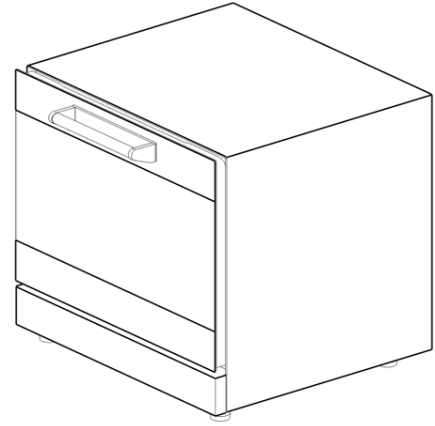
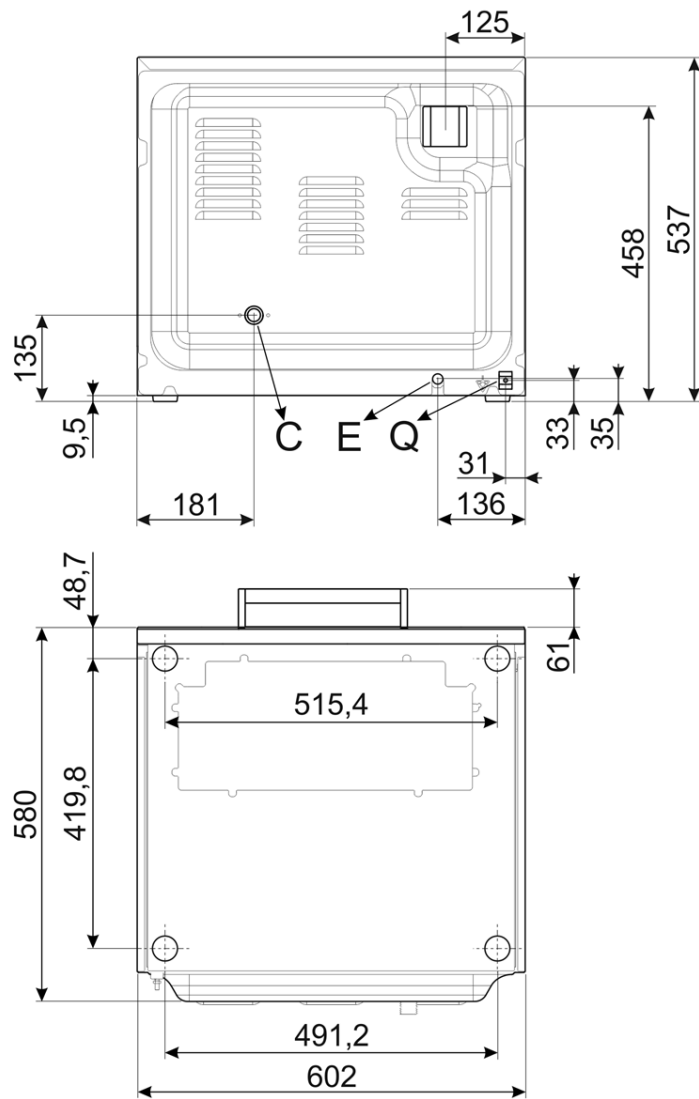
[3926](#) - Air flow reduction kit (1 pc), for ovens series ALFA43, ALFA45

EQUIPMENT

1 [3820](#) - Kit of 4 trays made of aluminized sheet, 435x320mm

Do you need more information about this product? Contact us and we will reply to you as soon as possible.

[CONTACT US](#)



Q	MORSETTO EQUIPOTENZIALE EARTH TERMINAL
E	CAVO ALIMENTAZIONE ELETTRICA ELECTRICITY SUPPLY CABLE
C	TUBO DI CARICO (<i>solo su alcuni modelli</i>) FILLER HOSE (<i>on some models only</i>)